



OUR ROOTS RUN DEEP. SINCE 1918

How to Build a Frame for a Bale of Straw



We've added casters for easy movement, making it perfect for a deck or patio. Cut the lumber yourself if you have some woodworking experience, or make it easy by having the boards pre-cut at your local home improvement store. (You can use either treated lumber or naturally long-lasting cedar.)

DETAILS:

Estimated Time: 1-2 hours*

** less if you have wood pre-cut*

Difficulty: Easy

List of materials:

- 2 - 1 x 4 x 8 boards
- 3 - 1 x 6 x 8 boards
- 2 - 2 x 4 x 8 boards
- 12 - 2½-inch deck screws
- 40 - 1¼-inch deck screws
- 16 - 1¼-inch washer-head screws
- 4 - 2½-inch swivel casters
- Wood stain (if desired)

List of Tools:

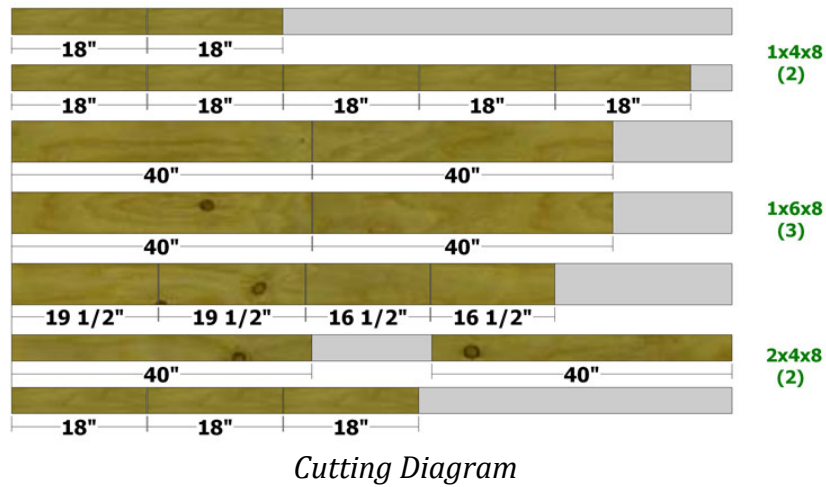
- miter saw or circular saw*
- drill/driver
- clamps
- square
- measuring tape

** or can have lumber pre-cut at home improvement store per dimensions in Parts List*

Parts List (see Cutting Diagram below):

Part	Quantity	Size
Cross Rails	3	1 1/2 x 3 1/2 x 18
Long Rails	2	1 1/2 x 3 1/2 x 40
Slats	7	3/4 x 3 1/2 x 18
Side Panels	4	3/4 x 5 1/2 x 40
Short End Panels	2	3/4 x 5 1/2 x 16 1/2
Long End Panels	2	3/4 x 5 1/2 x 19 1/2

INSTRUCTIONS:



Use the **Parts List** and **Cutting Diagram** as references for part dimensions. Cut the parts as needed for each step.

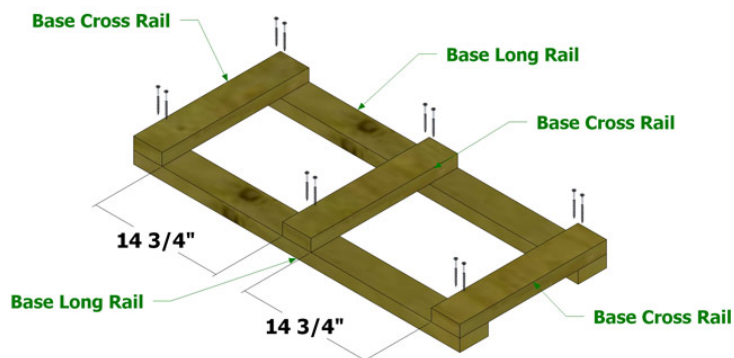


Figure 1

Position two **Base Cross Rails** flush with the ends of the **Base Long Rails**, and one **Base Cross Rail** centered on the **Base Long Rails**. Attach using 2 1/2-inch deck screws as shown in **Figure 1**.

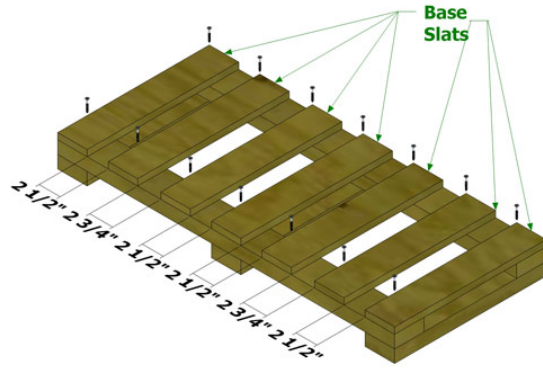


Figure 2

Position the **Base Slats** equidistant apart on the **Base Long Rails** as shown in **Figure 2** and attach using 1¼-inch deck screws.

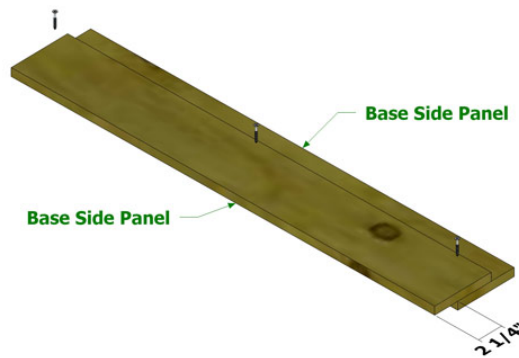


Figure 3

Position one **Base Side Panel** 2¼ inches from the edge of another **Base Side Panel** and attach using 1¼-inch deck screws as shown in **Figure 3**. Create two assemblies.

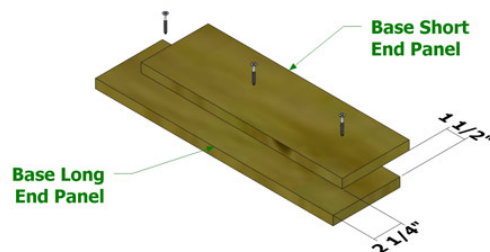


Figure 4

Position one **Base Short End Panel** 2¼ inches from the edge and centered across the length (1½ inches from each end) of a **Base Long End Panel**. Attach using 1¼-inch deck screws as shown in **Figure 4**. Create two assemblies.

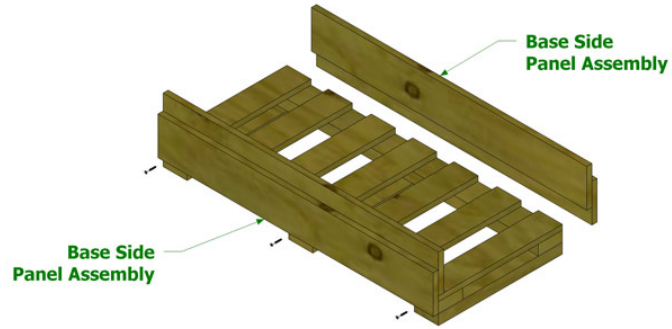


Figure 5

Position the **Base Side Panel Assemblies** with the 2 $\frac{1}{4}$ -inch overlap flush against the **Base Long Rails** and **Base Slats** as shown in **Figure 5**. Attach to the **Base Long Rails** using 1 $\frac{1}{4}$ -inch deck screws.

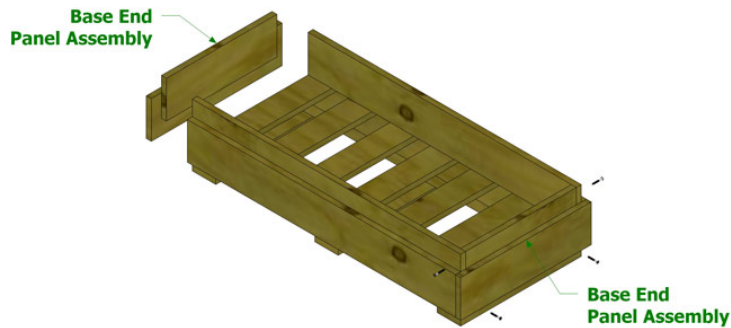


Figure 6

Position the **Base End Panel Assemblies** as shown in **Figure 6** and attach using 1 $\frac{1}{4}$ -inch deck screws. Be sure to drive screws through the **Base Side Panels** and into the **Base Short End Panels**, as well as through the **Base Long End Panels** and into the **Base Long Rails**.

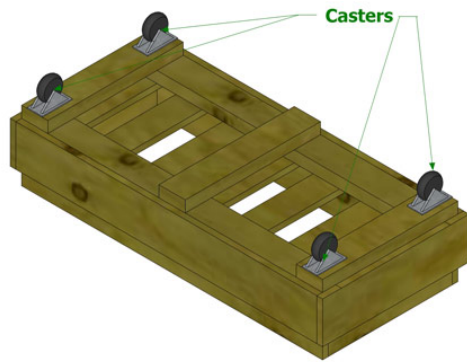


Figure 7

Flip the assembly over and attach the casters to the ends of the **Base Long End Panels** using 1¼-inch washer-head screws as shown in **Figure 7**. Apply wood stain if desired.

Design by Chris Hill